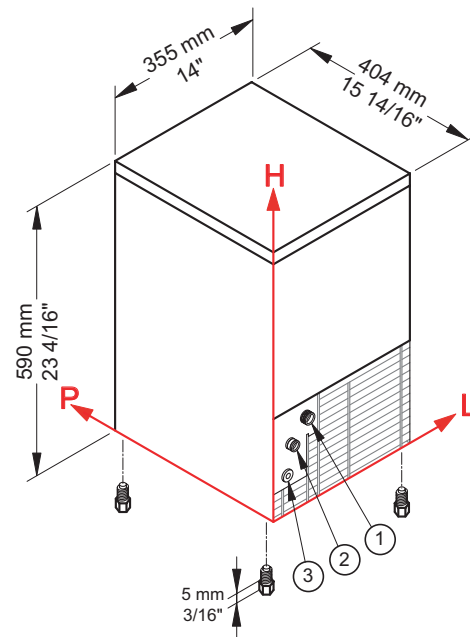


CB 184	Equipement	Machines à glaçons avec bac Sprayer system
Réf.: 120250	① Water in.: 88 mm / 3 7/16" - 184 mm / 7 4/16" - 3/4" ③ Electrical connections: 41 mm / 1 10/16" - 73 mm / 2 14/16" ② Water out.: 45 mm / 1 12/16" - 138 mm / 5 7/16" - 24 mm / 15/16"	



	Min	Max
Ambient temperature	+1 °C / +50° F	+4 °C / 110° F
Water temperature	+1 °C / +37° F	+5 °C / +90° F
Voltage	-10%	+10%
Water inlet pressure	7 bar (14 psi)	8 bar (84 psi)

All the technical information need to be considered at the following conditions: Standard Cube (13 g)
 Ambient temperature +21° C
 Water temperature +15° C
 Average power consumption at +43° C (standard voltage)

► **Technical information**

Production in 24h	22 kg / 49 lbs	Water consumption	A: 4,5 l/kg - 53,9 gal/100 lbs
Store capacity, up to	4 kg / 9 lbs		W: 20 l/kg - 239,7 gal/100 lbs
Cooling system	A - W	Sizes (L-P-H mm)	355 - 404 - 590
Kind of cube	D-13g	(L-P-H in)	14 - 15 14/16 - 23 4/16
Refrigerant	R404A - R452A	Sizes with pack (L-P-H mm)	415 - 445 - 780
Standard voltage	220-240 V ~ 50 Hz	(L-P-H in)	16 5/16 - 17 8/16 - 30 11/16
Average power consumption	320 W	Net weight	27,5 kg / 61 lbs
Fuse	10 A	Gross weight	34 kg / 75 lbs
Finish	AISI 304 stainless steel, scotch brite - ABS blue or grey		

Marrakech - Maroc

Av. Abd. El Khattabi, Rte de Casa
 40100 - Tél.: +212 524 33 44 77

Casablanca - Maroc

275, Bd Zerkouni - 20040
 Tél.: +212 522 95 60 00

Tanger - Maroc

15, Bd Y. Ibn Tachafine
 90000 - Tél.: +212 539 31 92 50

Conakry - Rép. Guinée

Coleah, Rte du Niger - BP 3678
 Tél.: +224 622 62 68 59